

LED TABLE STAR



LUM – Technical Information

Innovative table luminaire with
OSTAR[®] High Power LED.



Table of Content:

A: Benefits	2
B: Application	2
C: Product Description	2
D: Packaging	3
E: Logistic Data	4
F: Marketing Tools	4
G: Technical Information	4
1. Housing, Mounting and Accessories.....	4
2. Electrical Installation	4
3. Optical features.....	5
H: Tender text	5

A: Benefits

- Illumination concept is adapted for modern work spaces
- Uniform illumination
- Lifetime 30 000 h ~10 years
- Low energy consumption with 8 W

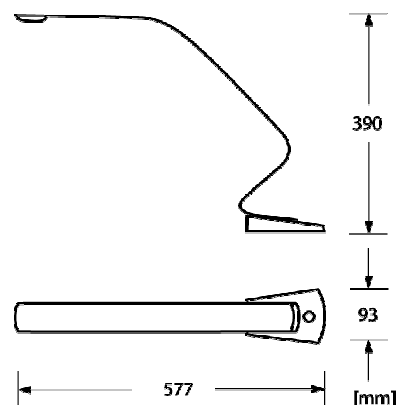
B: Application

- For sophisticated office workplaces.
- For representative areas like reception.



C: Product Description

- Arm made of anodised aluminium.
- Low profile base.
- Ready to install with 2 m of transparent cable and Euro plug.
- Integrated LED-driver in luminaire foot.
- With OSTAR[®] High Power LED (4200 K, neutral white).



D: Packaging

- Packaging type : Folding box with 3 color OSRAM premium print
-



E: Logistic Data

Product Name	Product Number	EAN	Shipment Unit
LED TABLE STAR	80201	4008321 908506	2x1

F: Marketing Tools

- Data sheet (see ADMAT 131W038)

G: Technical Information

1. Housing, Mounting and Accessories

Housing material	Anodised Aluminium
Housing colour	Silver
Dimensions (L x W x Height)	580 mm x 95 x 390 mm
Net weight	1300 g
Fire protection	F
Ingress Protection	IP 20
Safety class	II
Approval marks	in progress

2. Electrical Installation

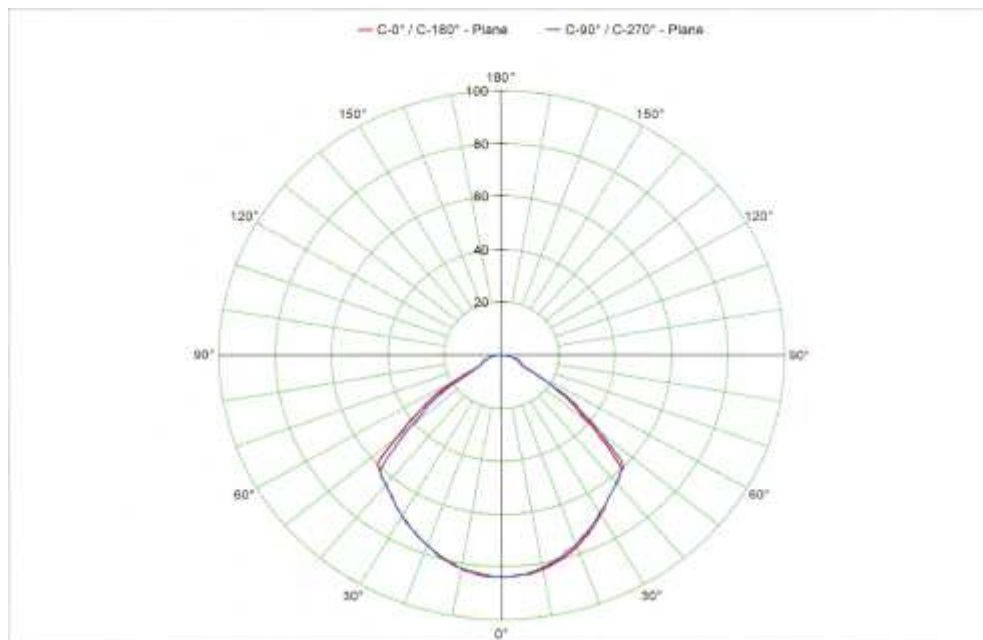
- Ready to install with 2 m of transparent cable and Euro plug.

Wattage	8 W
Mains voltage	200-240 V
Mains Frequency	50 - 60 Hz

3. Optical features

- Illumination level 2000 lx at 200 mm distance.

Used lamp	OSTAR® LED
Lamp color	Neutral white
Color temperature	4200 K
Beam angle	90°



H: Tender text

- Table luminaire with unique design.
- Uniform light distribution.
- High value anodised aluminium luminaire arm.