



OSRAM JOULE® JFL2



Benefits and features:

- Universal LED light source for all forward lighting applications
- Applicable for customized optics and cooling solutions
- PWM dimming and status output lead to fully flexible functionality
- Outstanding durability due to highest shock and vibration resistance
- Available in different configurations to fulfill the required light output
- Building block platform design enables the highest level of flexibility and cost savings
- SAE and ECE standard compliant
- RoHS conform

OSRAM JOULE® JFL2 LED SYSTEMS.

The new standard of light sources.

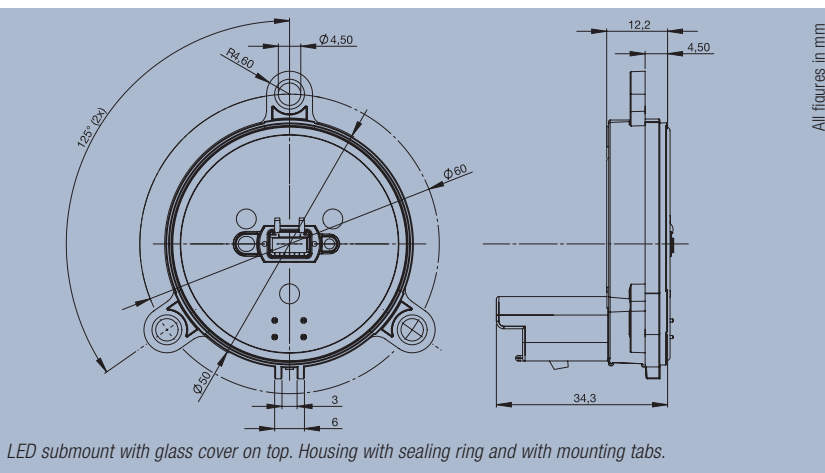
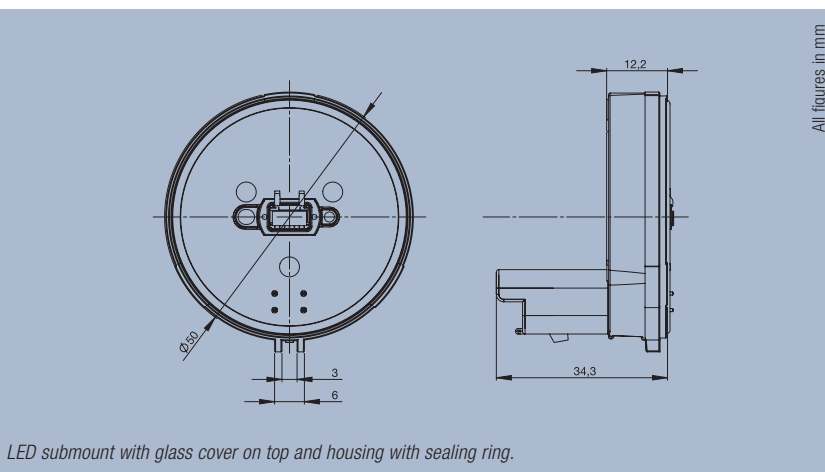
SEE THE WORLD IN A NEW LIGHT



LED Forward Lighting Systems

JFL2 – light sources

The JOULE® JFL2 light source family comes in different configurations to fulfil the requirements given by various applications. Due to this, low beam and high beam applications are possible as well as fog lamps or daytime running lights. The module can be used for reflector and projector solutions. Customized optics can be mounted directly to the light source in addition to this. Highest flexibility combined with highest technology based on standard systems for your application.



Product-reference	Product-number	W	V	reduced light output V	Luminous flux (inst.)	Lifetime h	Connector Type
LED Forward Lighting Systems – JFL2 - light sources							
JFL2S-4	4008321467447	14	9–19	6,3–9	600 lm typ.	5000 h	FCI (SICFHPE04BK)
JFL2MS-4	4008321467461	14	9–19	6,3–9	600 lm typ.	5000 h	FCI (SICFHPE04BK)

More information is available online. Please visit www.osram.com/joule

All the technical parameters apply to the entire module. In view of the complex manufacturing process for light emitting diodes, the typical values given above for the technical LED parameters are merely statistical values that do not necessarily correspond to the actual technical parameters of an individual product. Individual products may vary from these typical values. The products will require external cooling for proper function.